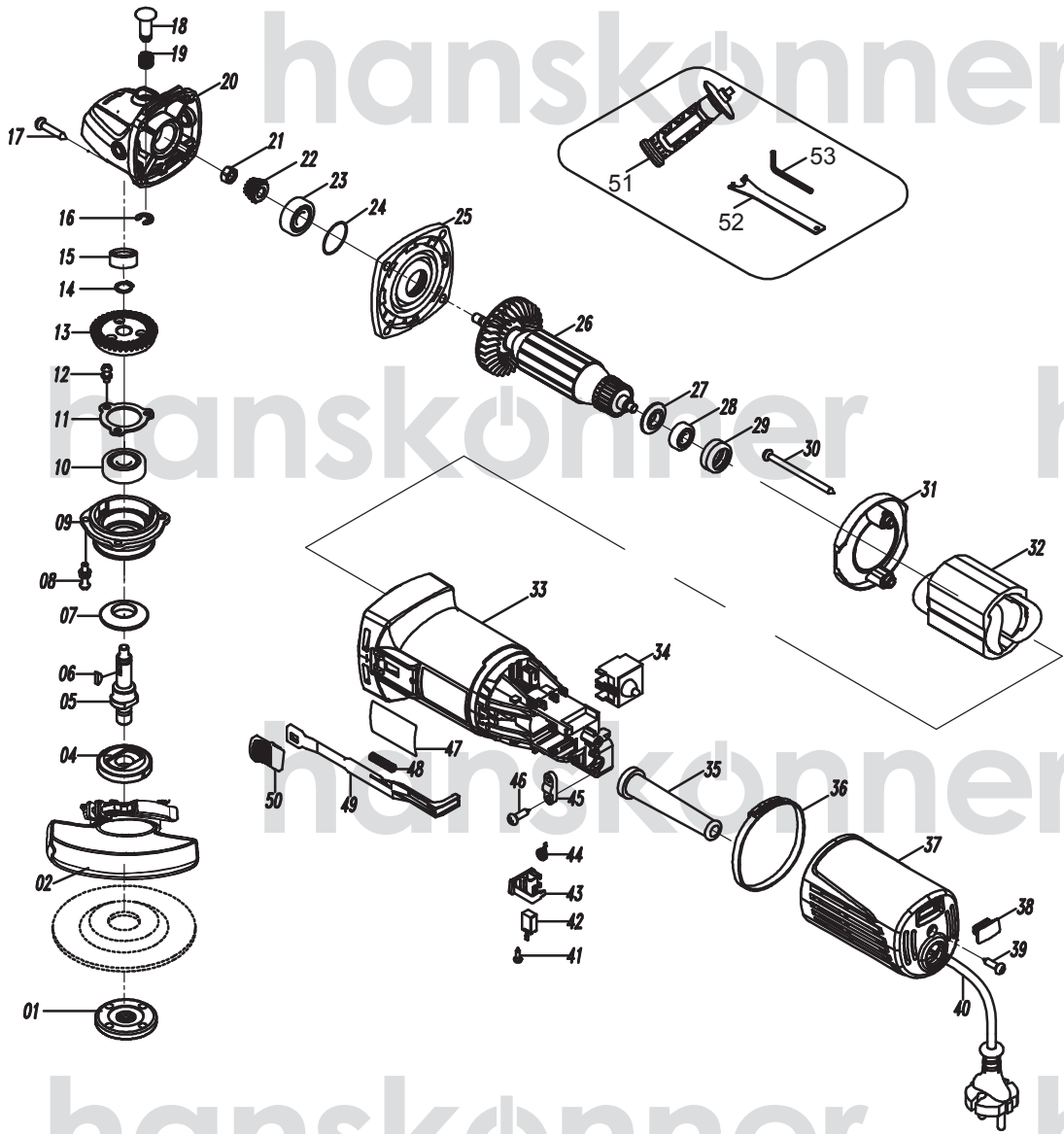


HAG10125



NO.	DESCRIPTION	NO.	DESCRIPTION
1	OUTER FLANGE	28	BEARING 608Z
2	GUARD	29	BEARING BUSH
4	INNER FLANGE	30	SCREW
5	SPINDLE	31	WIND GUIDE
6	KEY	32	STATOR
7	ANTI-DUST COVER	33	HOUSING
8	SCREW	34	SWITCH
9	FRONT COVER	35	CABLE SLEEVE
10	BEARING 6201Z	36	DECORATION RING
11	BEARING PRESS BOARD	37	REAR COVER
12	SCREW	38	COVER
13	BIG GEAR	39	SCREW
14	CIRCLIP	40	CABLE
15	BEARING 696Z	41	SCREW
16	CIRCLIP	42	CARBON BRUSH
17	SCREW	43	BRUSH HOLDER
18	LOCKING BUTTON	44	SPRING
19	SPRING	45	CABLE CLAMP
20	GEAR BOX	46	SCREW
21	NUT	47	LABEL
22	PINION	48	SPRING
23	BEARING 629Z	49	SWITCH POLE
24	O-RING	50	SWITCH TRIGGER
25	MIDDLE COVER	51	HANDLE
26	ROTOR	52	SPANNER
27	DUST RING	53	ALLENG KEY

RU-HS20170824